

# ALFA



## CIAO

## LEGNA - WOOD

**YELLOW**  
FXCM-LGIA-T

**SILVER GREY**  
FXCM-LGRI-T



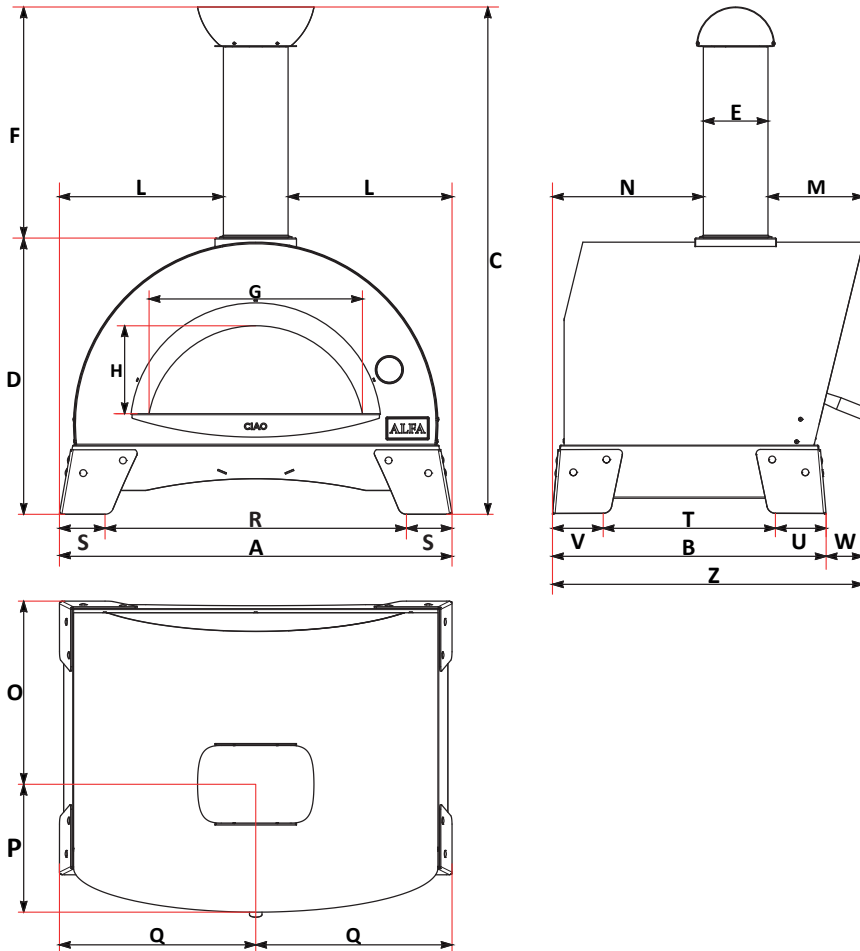
conforme a UNI 10474 e EN 13229  
UNI 10474 and EN 13229 compliant



## CARATTERISTICHE TECNICHE - TECHNICAL DETAILS

<b>Peso</b> <i>Weight</i>	80 kg 176 lbs	<b>Materiali utilizzati</b> <i>Used material</i>	lamiera ferro. acciaio inox. fibra ceramica <i>iron sheet. stainless steel. ceramic fiber</i>
<b>Area piano forno</b> <i>Oven floor area</i>	0.28 m <sup>2</sup> 3 ft <sup>2</sup>	<b>Tipo di refrattario</b> <i>Type of refractory</i>	Tavella silico-alluminoso <i>Alumina silicate bricks</i>
<b>Dim. piano forno</b> <i>Oven floor dim.</i>	70 x 40 cm 27.5 x 15.7 in	<b>Combustibile consigliato</b> <i>Recommended fuel</i>	Ciocchi diam. Max 5 cm. potature <i>Max 1.9 In diam. logs. trimmings</i>
<b>Minuti per scaldare</b> <i>Heating time (min)</i>	15	<b>Carica nominale</b> <i>Rated charge</i>	6.9 kg/h 15.2 Lbs/h
<b>N° pizze alla volta</b> <i>Pizza capacity</i>	2	<b>Tiraggio minimo</b> <i>Minimum flue draught</i>	10 Pa
<b>Infornata di pane</b> <i>Bread capacity</i>	2 kg 4.4 lbs	<b>Flusso volumetrico fumi</b> <i>Flue smokes mass flow</i>	57.7 g/s
<b>Temperatura massima</b> <i>Max oven temperature</i>	500°C 1000°F	<b>Emissioni CO al 13% O<sub>2</sub></b> <i>CO emission at 13% O<sub>2</sub></i>	0.31% 3843 mg/Nm <sup>3</sup>
<b>Consumo medio</b> <i>Average fuel consumption</i>	2.5 kg/h 5.5 lbs/h	<b>Temperatura fumi</b> <i>Smoke temperature</i>	395°C 743°F

## MISURE - DIMENSIONS



A	91.1 cm 35.5 in	O	42.5 cm 16.7 in
B	63.5 cm 24.8 in	P	29.7 cm 11.7 in
C	117.7 cm 46.3 in	Q	45.5 cm 17.9 in
D	64.1 cm 25.2 in	R	69.9 cm 27.5 in
Ø E	15 cm 5.9 in	S	10.6 cm 4.2 in
F	53.6 cm 21.1 in	T	40 cm 15.7 in
G	49.5 cm 19.3 in	U	11.8 cm 4.6 in
H	20.4 cm 7.9 in	V	11.8 cm 4.6 in
L	38 cm 15 in	W	8.58 cm 3.3 in
M	22.2 cm 8.7 in	Z	72.1 cm 28.1 in
N	32.3 cm 12.7 in		

### DIMENSIONE IMBALLO PACKAGING

Larghezza Width	Profondità Depth	Altezza Height
95 cm 37 in	77 cm 30 in	76 cm 29.6 in

## PARTI DI RICAMBIO - SPARE PARTS

Descrizione Description		Codice Code
Comignolo Chimney cap	A	SPZP_01_024
Canna fumaria Chimney	B	TI150_500_SAT
Sportello Door	G	SSML_01_0150
Flangia Flange	H	SPZP_01_050
Carter esterno External shell	I	SCRT-01-028-GIA
Carter esterno External shell	I	SCRT-01-028-GR
Termometro Thermometer	J	YT63-135
Mattoni 40x20 cm Red bricks 40x20 cm	K	RRA-4020
Mattoni 50x20 cm Red bricks 50x20 cm	K	RRA-5020
Gasbeton	L	D10GASB-D300
Piedini Feet (n.4)	M	PZP-01-070/71
Logo Alfa (v1.0)	N	D14PLAC-ALFA
Archetto Arch	Q	SSML-01-048-GR
Davanzale Sill	R	SSML-01-049
Vasca camera	S	SCMB-01-028

